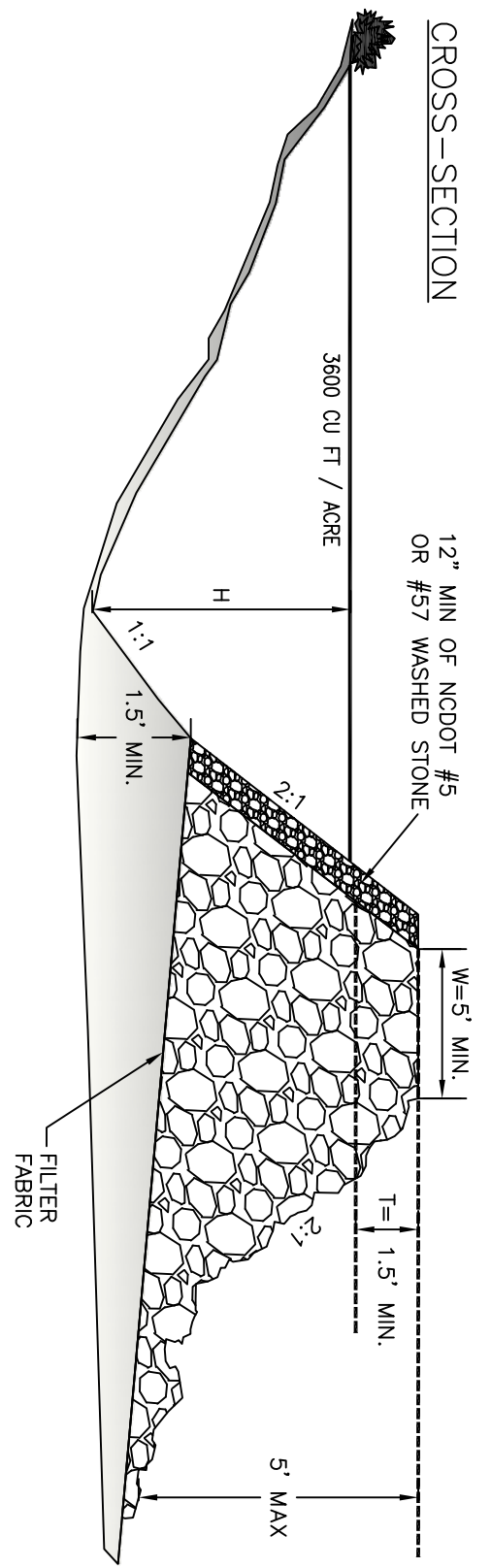


CROSS-SECTION

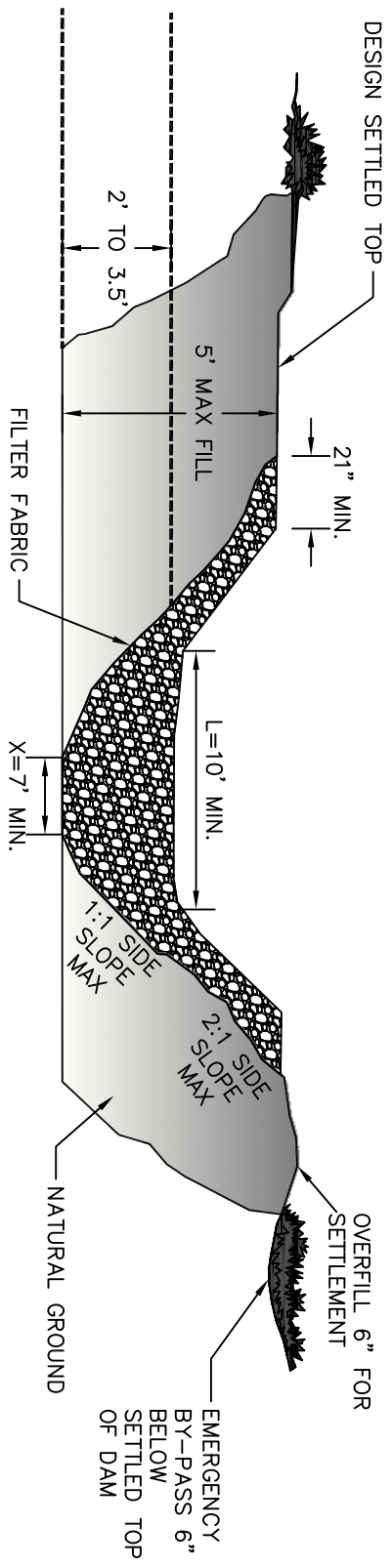


TEMPORARY SEDIMENT TRAP DESIGN CRITERIA	
DRAINAGE AREA (ACRES)	< 5 AC.
MIN. LENGTH TO WIDTH RATIO	2:1
MIN. VOLUME REQUIRED	3600 (CU. FT. PER AC. DISTURBED)
SURFACE AREA REQUIRED	435 (SQ. FT. PER CFS Q10)

NOTE:

- PLEASE REFER TO NCSOPDM SECTION #6.60 FOR ADDITIONAL DESIGN SPECIFICATIONS REGARDING TEMPORARY SEDIMENT TRAPS.
- REFER TO STD. #30.19 FOR BAFFLE SPACING AND INSTALLATION.

PLAN VIEW



DATA BLOCK

TRAP NO.	DRAINAGE AREA (ACRES)	DENUDEED AREA (ACRES)	Q ₀	TRAP VOLUME		TRAP SURFACE AREA		CLEANOUT DEPTH H/2 (FT.)	H (FEET)	L (FEET)	T (FEET)	W (FEET)	X (FEET)
				REQUIRED (C.F.)	PROVIDED (C.F.)	REQUIRED (C.F.)	PROVIDED (C.F.)						

NOT TO SCALE

